
7 Parts

- [Ordering information](#)
- [Supplies and hinge tool](#)
- [Cable and interface accessories](#)
- [Whole-unit replacement](#)
- [Control-panel overlays](#)
- [Supplementary documentation and support](#)
- [Parts lists and diagrams](#)
- [Scanner assemblies](#)
- [Assemblies](#)
- [External covers and panels](#)
- [Internal components \(1 of 3\)](#)
- [Internal components \(2 of 3\)](#)
- [Internal components \(3 of 3\)](#)
- [Alphabetical parts list](#)
- [Numerical parts list](#)

Ordering information

Order replacement parts, supplies, and paper from the following Web sites:

- To order genuine HP parts and accessories, go to www.hp.com/buy/parts.com.
- To order supplies and paper, go to www.hp.com/buy/suresupply.com.

Supplies and hinge tool

Product name	Description	Part number
Replacement print cartridge	Average yield for the print cartridge is approximately 2,000 pages. Actual yield depends on use.	CB436A (new)
		CB436-67901 (exchange)
Scanner hinge tool	Use this tool to secure the scanner in the open position when the link assemblies are disengaged.	5185-7441

Cable and interface accessories

Product name	Description	Part number
USB cable	2-meter standard USB-compatible device connector	C6518A
	3-meter standard USB-compatible device connector	C6520A
Power cord	U.S. / Canada (1.8 M, 6 ft)	8120-8382
	Europe (1.8 M, 6 ft)	8121-0516
	Switzerland (1.8 M, 6 ft)	8121-0519
	United Kingdom (1.8 M, 6 ft)	8121-0517
	Denmark (1.8 M, 6 ft)	8121-0518
	South America (1.8 M, 6 ft)	8121-0520
	Israel (1.8 M, 6 ft)	8121-1004

Whole-unit replacement

Use the tables in this section to find the whole-unit replacement part number for a specific product bundle and localized configuration.

Table 7-1 Whole-unit replacement, product bundle CC537A

Country/region	Localized configuration	Replacement part number
Asia Pacific	AB0 - Taiwan-Traditional Chinese	CC537-67902
	AB1 - Korea-Korean localization	CC537-67903
	AB2 - China-Simplified Chinese	CC537-67904
	AB3 - Thailand-Thai	CC537-67905
	AB4 - Singapore-English	CC537-67906
	BFV - Hong Kong SAR-English/Traditional Chinese	CC537-67907
	ABG - Australia-English	CC537-67909
	A2K - Philippines-English	CC537-67910
	ACJ - India-English	CC537-67911
	AK3 - Indonesia-Indonesia localizaton	CC537-67912
	UUD - Vietnam-Vietnamese localization	CC537-67913
	ARR - Asia Pacific (Euro Cord)-English	CC537-67914
	ARS - Asia Pacific (UK Cord)-English	CC537-67915

Table 7-1 Whole-unit replacement, product bundle CC537A (continued)

Country/region	Localized configuration	Replacement part number
Europe, Middle East, and Africa	ABD - Germany-German	CC537-67916
	ABF - France-French	CC537-67917
	ABH - Netherlands-Dutch	CC537-67918
	ABZ - Italy-Italian	CC537-67919
	ABE - Spain-Spanish localization	CC537-67920
	BFY - Spain-Catalan localization	CC537-67921
	ABU - United Kingdom-English	CC537-67922
	B14 - Belgium-Dutch/French	CC537-67923
	AR8 - Switzerland-French/German	CC537-67924
	BB1 - Norway/Finland/Sweden-NO/FI/SV localization	CC537-67925
	ABY - Denmark-Danish	CC537-67926
	ACB - Russia-Cyrillic	CC537-67927
	BCM - Czech Rep/Slovakia-Czech/Slovak localization	CC537-67928
	AKC - Hungary-Hungarian localization	CC537-67929
	AKD - Poland-Polish localization	CC537-67930
	AB9 - Portugal-Portuguese localization	CC537-67931
	ACQ - South Africa-English	CC537-67932
	BCP - Greece/Israel-Greek/Hebrew localization	CC537-67933
	BFQ - Mid East 220V-AR/FR/EN localization	CC537-67934
	BFR - Estonia/Lithuania/Latvia-ET/LT/LV	CC537-67935
	BFS - Slovenia/Croatia/Serbia-SL/HR/SR	CC537-67936
	BFZ - Kazakhstan/Ukraine-Kazakh/Ukrainian localization	CC537-67937
	AB8 - Turkey-Turkish localization	CC537-67938
BG1 - Romania/Bulgaria-Romanian/Bulgarian localization	CC537-67939	
Latin America	AC8 - Argentina-Spanish	CC537-67940
	ABM - Latin Amer-(120v) Spanish localization	CC537-67941
	696 - Brazil-Portuguese	CC537-67942
	697 - Latin America-Spanish localization	CC537-67943
	AKV - South America-Spanish	CC537-67944
North America	ABA - U. S.-English	CC537-67945

Table 7-2 Whole-unit replacement, product bundle CC459A

Country/region	Localized configuration	Replacement part number
Asia Pacific	AB0 - Taiwan-Traditional Chinese	CC459-67901
	AB1 - Korea-Korean localization	CC459-67902
	AB2 - China-Simplified Chinese	CC459-67903
	AB3 - Thailand-Thai	CC459-67904
	AB4 - Singapore-English	CC459-67905
	BFV - Hong Kong SAR-English/Traditional Chinese	CC459-67906
	ABG - Australia-English	CC459-67907
	A2K - Philippines-English	CC459-67908
	ACJ - India-English	CC459-67909
	AK3 - Indonesia-Indonesia localizatn	CC459-67910
	UUD - Vietnam-Vietnamese localization	CC459-67911
	ARR - Asia Pacific (Euro Cord)-English	CC459-67912
	ARS - Asia Pacific (UK Cord)-English	CC459-67913

Table 7-2 Whole-unit replacement, product bundle CC459A (continued)

Country/region	Localized configuration	Replacement part number
Europe, Middle East, and Africa	ABD - Germany-German	CC459-67914
	ABF - France-French	CC459-67915
	ABH - Netherlands-Dutch	CC459-67916
	ABZ - Italy-Italian	CC459-67917
	ABE - Spain-Spanish localization	CC459-67918
	BFY - Spain-Catalan localization	CC459-67919
	ABU - United Kingdom-English	CC459-67920
	B14 - Belgium-Dutch/French	CC459-67921
	AR8 - Switzerland-French/German	CC459-67922
	BB1 - Norway/Finland/Sweden-NO/FI/SV localization	CC459-67923
	ABY - Denmark-Danish	CC459-67924
	ACB - Russia-Cyrillic	CC459-67925
	BCM - Czech Rep/Slovakia-Czech/Slovak localization	CC459-67926
	AKC - Hungary-Hungarian localization	CC459-67927
	AKD - Poland-Polish localization	CC459-67928
	AB9 - Portugal-Portuguese localization	CC459-67929
	ACQ - South Africa-English	CC459-67930
	BCP - Greece/Israel-Greek/Hebrew localization	CC459-67931
	BFQ - Mid East 220V-AR/FR/EN localization	CC459-67932
	BFR - Estonia/Lithuania/Latvia-ET/LT/LV	CC459-67933
	BFS - Slovenia/Croatia/Serbia-SL/HR/SR	CC459-67934
	BFZ - Kazakhstan/Ukraine-Kazakh/Ukrainian localization	CC459-67935
	AB8 - Turkey-Turkish localization	CC459-67936
BG1 - Romania/Bulgaria-Romanian/Bulgarian localization	CC459-67937	
Latin America	AC8 - Argentina-Spanish	CC459-67938
	ABM - Latin Amer-(120v) Spanish localization	CC459-67939
	696 - Brazil-Portuguese	CC459-67940
	697 - Latin America-Spanish localization	CC459-67941
	AKV - South America-Spanish	CC459-67942
North America	ABA - U. S.-English	CC459-67943

Control-panel overlays

Table 7-3 Control-panel overlays, HP LaserJet M1120

Item	Language	Part number
Control-panel overlay	English (EN)	CB537-00003
Control-panel overlay	Spanish (ES)	CB537-00004
Control-panel overlay	Portuguese (PT)	CB537-00005
Control-panel overlay	German (DE)	CB537-00006
Control-panel overlay	French (FR)	CB537-00007
Control-panel overlay	Dutch (NL)	CB537-00008
Control-panel overlay	Italian (IT)	CB537-00009
Control-panel overlay	Swedish (SV)	CB537-00010
Control-panel overlay	Norwegian (NO)	CB537-00011
Control-panel overlay	Finnish (FI)	CB537-00012
Control-panel overlay	Danish (DA)	CB537-00013
Control-panel overlay	Russian (RU)	CB537-00014
Control-panel overlay	Czech (CS)	CB537-00015
Control-panel overlay	Hungarian (HU)	CB537-00016
Control-panel overlay	Polish (PL)	CB537-00017
Control-panel overlay	Slovak (SK)	CB537-00018
Control-panel overlay	Turkish (TR)	CB537-00019
Control-panel overlay	Greek (EL)	CB537-00020
Control-panel overlay	Hebrew (HE)	CB537-00021
Control-panel overlay	Arabic (AR)	CB537-00022
Control-panel overlay	Traditional Chinese (ZHTW)	CB537-00023
Control-panel overlay	Korean (KO)	CB537-00024
Control-panel overlay	Simplified Chinese (ZHCN)	CB537-00025
Control-panel overlay	Thai (TH)	CB537-00026
Control-panel overlay	Vietnamese (VI)	CB537-00027
Control-panel overlay	Catalan (CA)	CB537-00029
Control-panel overlay	Romanian (RO)	CB537-00030
Control-panel overlay	Croatian (HR)	CB537-00031
Control-panel overlay	Slovenian (SL)	CB537-00032
Control-panel overlay	Indonesian (ID)	CB537-00033
Control-panel overlay	Kazakh (KK)	CB537-00034
Control-panel overlay	Bulgarian (BG)	CB537-00035

Table 7-3 Control-panel overlays, HP LaserJet M1120 (continued)

Item	Language	Part number
Control-panel overlay	Ukrainian (UK)	CB537-00036
Control-panel overlay	Serbian (SR)	CB537-00037
Control-panel overlay	Lithuanian (LT)	CB537-00038
Control-panel overlay	Estonian (ET)	CB537-00039
Control-panel overlay	Latvian (LV)	CB537-00040

Table 7-4 Control-panel overlays, HP LaserJet M1120n

Item	Language	Part number
Control-panel overlay	English (EN)	CC459-00003
Control-panel overlay	Spanish (ES)	CC459-00004
Control-panel overlay	Portuguese (PT)	CC459-00005
Control-panel overlay	German (DE)	CC459-00006
Control-panel overlay	French (FR)	CC459-00007
Control-panel overlay	Dutch (NL)	CC459-00008
Control-panel overlay	Italian (IT)	CC459-00009
Control-panel overlay	Swedish (SV)	CC459-00010
Control-panel overlay	Norwegian (NO)	CC459-00011
Control-panel overlay	Finnish (FI)	CC459-00012
Control-panel overlay	Danish (DA)	CC459-00013
Control-panel overlay	Russian (RU)	CC459-00014
Control-panel overlay	Czech (CS)	CC459-00015
Control-panel overlay	Hungarian (HU)	CC459-00016
Control-panel overlay	Polish (PL)	CC459-00017
Control-panel overlay	Slovak (SK)	CC459-00018
Control-panel overlay	Turkish (TR)	CC459-00019
Control-panel overlay	Greek (EL)	CC459-00020
Control-panel overlay	Hebrew (HE)	CC459-00021
Control-panel overlay	Arabic (AR)	CC459-00022
Control-panel overlay	Traditional Chinese (ZHTW)	CC459-00023
Control-panel overlay	Korean (KO)	CC459-00024
Control-panel overlay	Simplified Chinese (ZHCH)	CC459-00025
Control-panel overlay	Thai (TH)	CC459-00026
Control-panel overlay	Vietnamese (VI)	CC459-00027
Control-panel overlay	Catalan (CA)	CC459-00028

Table 7-4 Control-panel overlays, HP LaserJet M1120n (continued)

Item	Language	Part number
Control-panel overlay	Romanian (RO)	CC459-00029
Control-panel overlay	Croatian (HR)	CC459-00030
Control-panel overlay	Slovenian (SL)	CC459-00031
Control-panel overlay	Indonesian (ID)	CC459-00032
Control-panel overlay	Kazakh (KK)	CC459-00033
Control-panel overlay	Bulgarian (BG)	CC459-00034
Control-panel overlay	Ukrainian (UK)	CC459-00035
Control-panel overlay	Serbian (SR)	CC459-00036
Control-panel overlay	Lithuanian (LT)	CC459-00037
Control-panel overlay	Estonian (ET)	CC459-00038
Control-panel overlay	Latvian (LV)	CC459-00030

Supplementary documentation and support

Table 7-5 Documentation (print on demand)

Description	Languages	Part number
Service manual (this manual)	English only	CB537-90945
Getting Started guides	English, Spanish, Portuguese, French	CB537-90901
	English, Spanish, Portuguese, Catalan, Dutch, French, German, Italian	CB537-90902
	English, Danish, Finnish, French, Norwegian, Swedish, Arabic	CB537-90903
	English, Bulgarian, Czech, Hungarian, Polish, Romanian, Russian, Slovak	CB537-90904
	English, Kazakh, Turkish, Ukrainian, Estonian, Latvian, Lithuanian	CB537-90905
	English, Croatian, Greek, Serbian, Slovenian, Hebrew	CB537-90906
	English, Korean, Indonesian, Chinese simplified, Chinese traditional, Thai, Vietnamese	CB537-90907
User guides	English	CB537-90908
	Arabic	CB537-90943
	Bulgarian	CB537-90914
	Chinese simplified	CB537-90915
	Chinese traditional	CB537-90939
	Croatian	CB537-90916
	Czech	CB537-90917

Table 7-5 Documentation (print on demand) (continued)

Description	Languages	Part number
User guides, continued	Danish	CB537-90918
	Dutch	CB537-90919
	Estonian	CB537-90920
	Finnish	CB537-90921
	French	CB537-90909
	German	CB537-90910
	Greek	CB537-90922
	Hebrew	CB537-90944
	Hungarian	CB537-90923
	Indonesian	CB537-90924
	Italian	CB537-90911
	Kazakh	CB537-90925
	Korean	CB537-90926
	Latvian	CB537-90927
	Lithuanian	CB537-90928
	Norwegian	CB537-90929
	Polish	CB537-90930
	Portuguese	CB537-90931
	Romanian	CB537-90932
	Russian	CB537-90933
	Serbian	CB537-90934
	Slovak	CB537-90935
	Slovenian	CB537-90936
	Spanish, Catalan	CB537-90913
	Spanish, mid-Atlantic	CB537-90912
	Swedish	CB537-90937
	Thai	CB537-90938
Turkish	CB537-90940	
Ukrainian	CB537-90941	
Vietnamese	CB537-90942	

Parts lists and diagrams





How to use the parts lists and diagrams

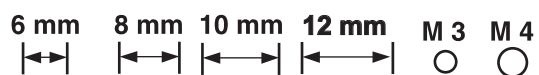
The figures in this chapter show the major subassemblies in the product and their component parts. A parts list table follows each exploded-view assembly diagram. Each table lists the item number, the associated part number, and the description of each part. If a part is not listed in the table, then it is not a field replaceable unit (FRU).

△ **CAUTION:** Be sure to order the correct part. When looking for part numbers for electrical components, pay careful attention to the voltage that is listed in the description column to ensure that the part number selected is for the correct product model.

📄 **NOTE:** In this manual, the abbreviation “PCA” stands for “printed circuit board assembly.” Components described as a PCA might consist of a single circuit board or a circuit board plus other parts, such as cables and sensors.

Types of screws

Illustration	Description	Size	Part number	Use
	Screw, RS	M3X6	XB2-8300-609CN	Used to secure plastic to metal
		M3X8	XA9-1504-000CN	
		M3X10	XA9-1501-000CN	
	Screw, D	M3X6	XA9-1670-000CN	Used to secure plastic to metal
	Screw w/washer	M3X6	XB2-7300-605CN	Used to secure metal components to metal components
		M3X8	XA9-1420-000CN	
	Screw tapping	M4X10	XB4-5401-009CN	Used to secure anything to plastic
		M3X9	0515-4671	



Scanner assemblies

Figure 7-1 Scanner assemblies

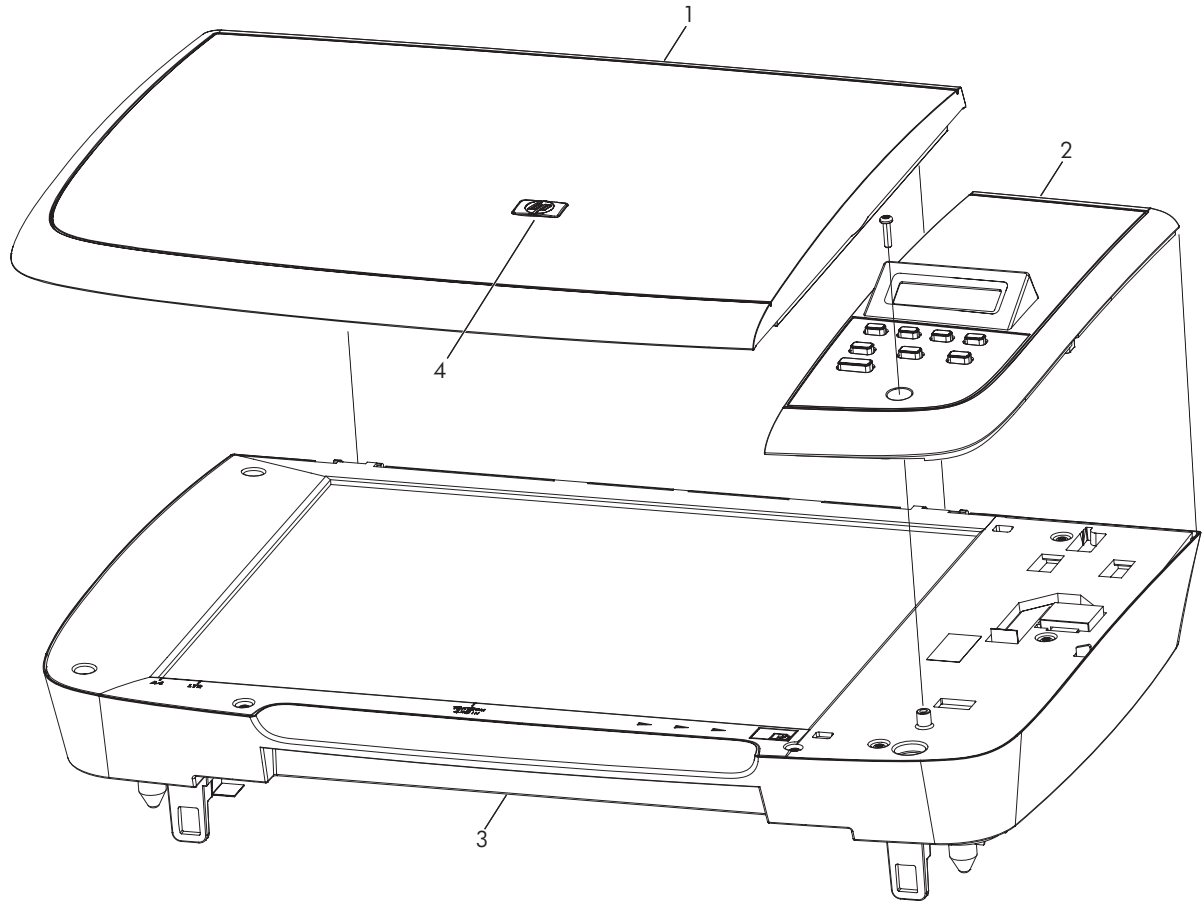


Table 7-6 Scanner assemblies

Ref	Description	Part number	Qty
1	Flatbed lid	CB537-60102	1
2	Control-panel assembly, LJm1120 (Western)	CB537-60109	1
2	Control-panel assembly, LJm1120 (Asian)	CB537-60110	1
3	SSA PKG FGI ASSY LJm1120 (scanner flatbed assembly)	CB537-67901	1
4	LJm1005 HP Jewel	7121-8285	1

Assemblies

Figure 7-2 Assemblies

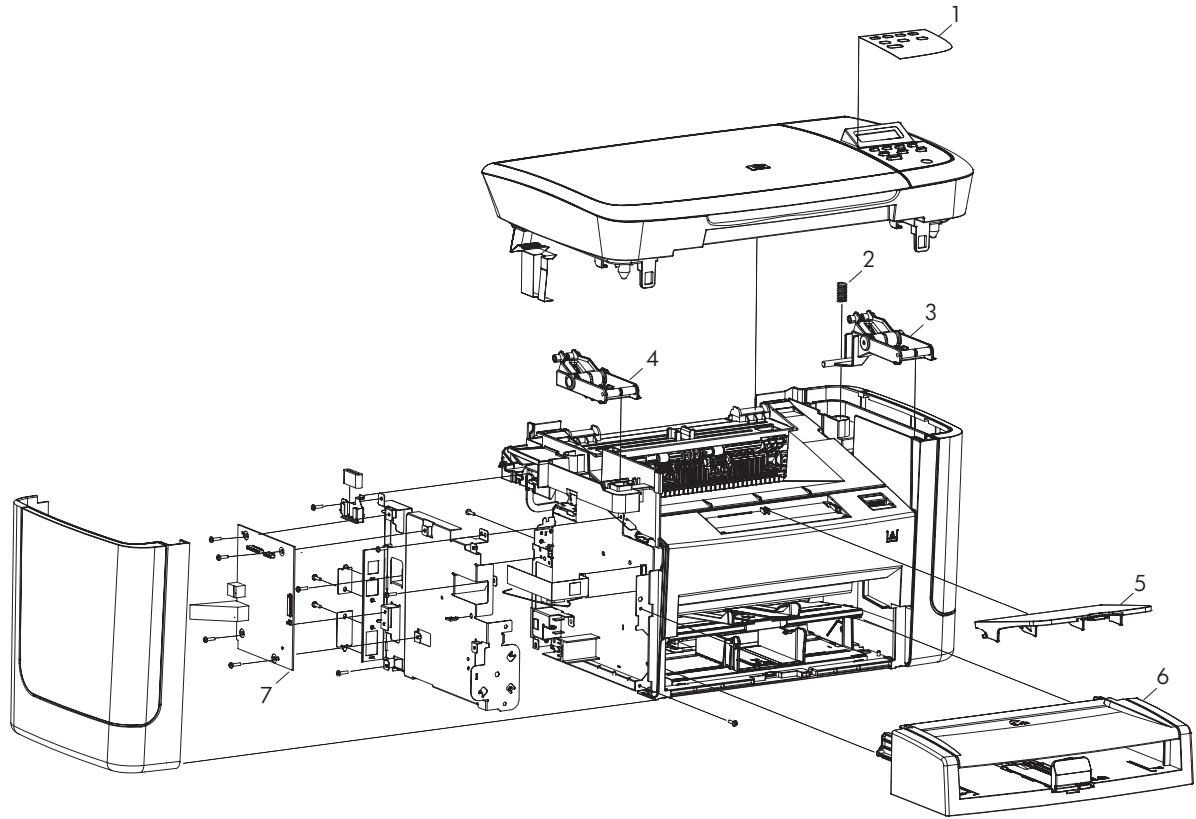


Table 7-7 Assemblies

Ref	Description	Part number	Qty
1	Control-panel overlay	See Control-panel overlays on page 157 .	1
2	Scanner spring, tension	RU6-2637-000CN	1
3	Scanner-link assembly, right	RM1-3954-000CN	1
4	Scanner-link assembly, left	RM1-3953-000CN	1
5	Paper-delivery tray assembly	RM1-4725-000CN	1
6	Paper-pickup tray assembly	RM1-4722-000CN	1
7	Formatter, standard (HP LaserJet M1120)	CC390-60001	1
7	Formatter, Asian (HP LaserJet M1120)	CC539-60001	1
7	Formatter, standard (HP LaserJet M1120n)	CC427-60001	1
7	Formatter, Asian (HP LaserJet M1120n)	CC540-60001	1

External covers and panels

Figure 7-3 External covers and panels

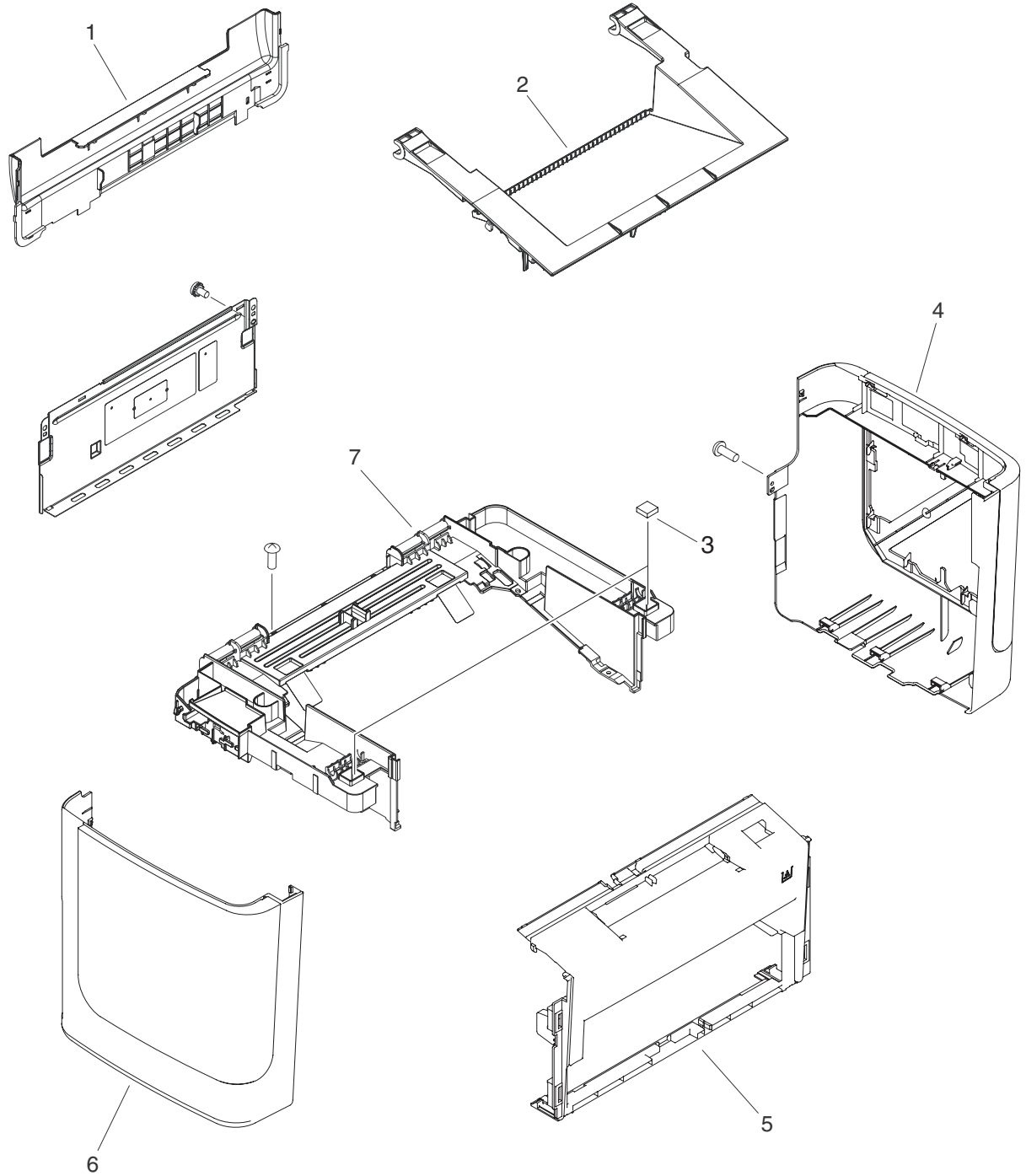


Table 7-8 External covers and panels

Ref	Description	Part number	Qty
1	Cover, rear	RC2-2971-000CN	1
2	Cover, cartridge	RC2-2960-000CN	1
3	Cushion, scanner	RC1-2476-000CN	2
4	Cover, right	RL1-1736-000CN	1
5	Cover, front	RL1-1734-000CN	1
6	Cover, left	RL1-1735-000CN	1
7	Cover, top	RL1-1732-000CN	1

Internal components (1 of 3)

Figure 7-4 Internal components (1 of 3)

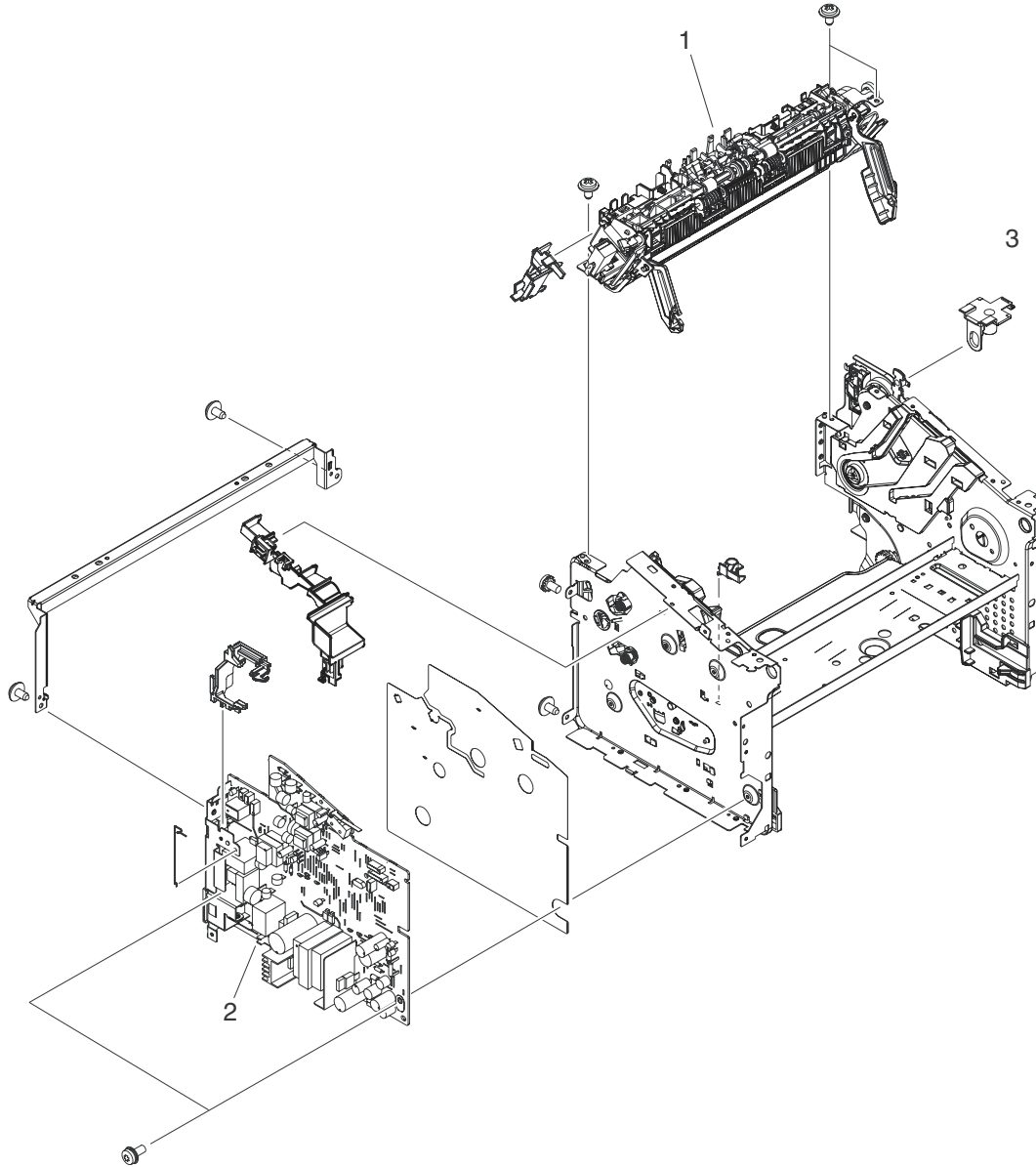


Table 7-9 Internal components (1 of 3)

Ref	Description	Part number	Qty
1	Fuser assembly, 110v-220v	RM1-4721-000CN	1
1	Fuser assembly, 220v-240v	RM1-4726-000CN	1
2	Engine controller PCA (ECU), 110v-220v	RM1-4932-000CN	1
2	Engine controller PCA (ECU), 220v-240v	RM1-4936-000CN	1
3	Link, coupling	RC2-2965-000CN	1

Internal components (2 of 3)

Figure 7-5 Internal components (2 of 3)

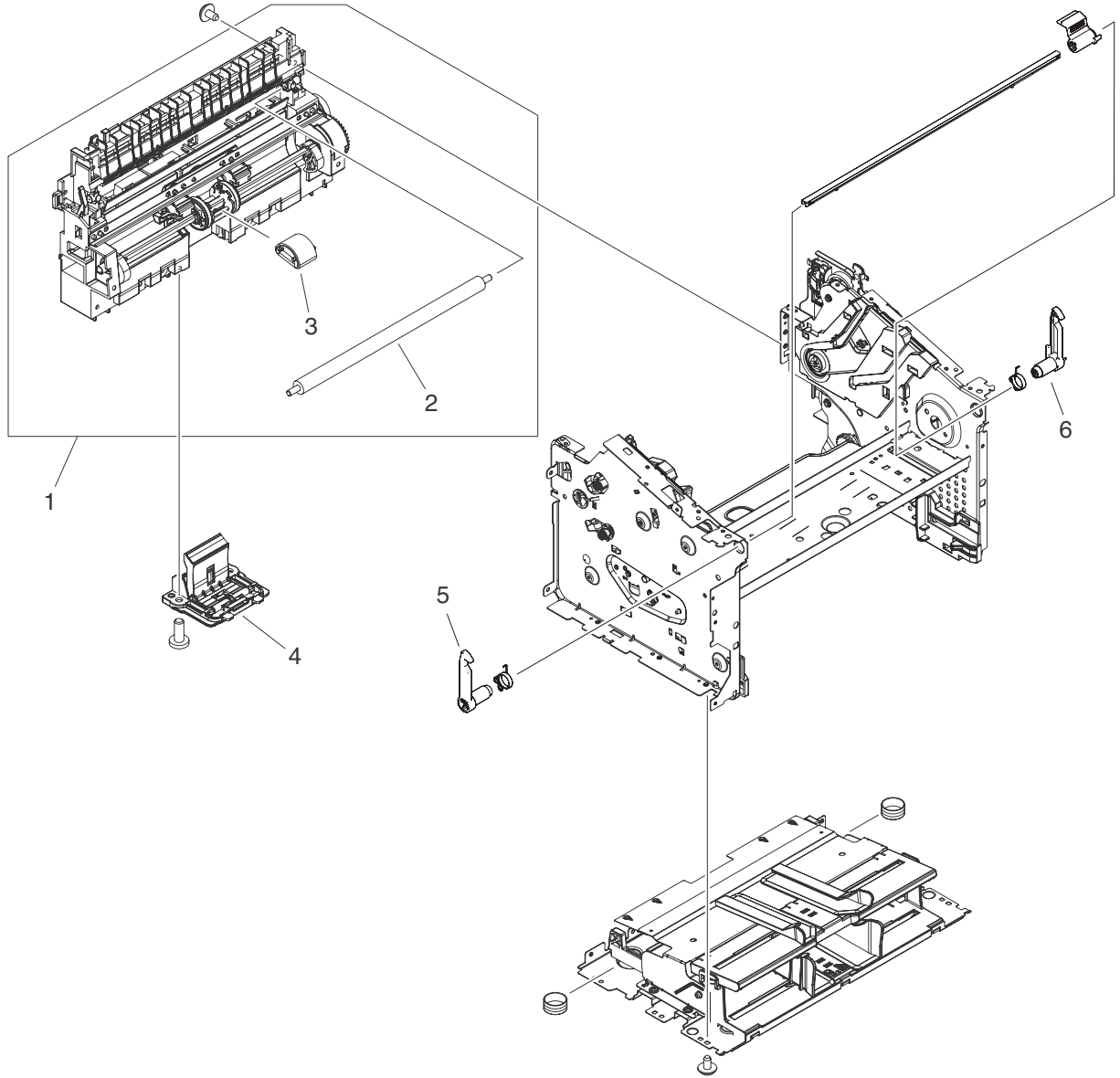


Table 7-10 Internal components (2 of 3)

Ref	Description	Part number	Qty
1	Paper-pickup assembly	RM1-4727-000CN	1
2	Roller, transfer	RM1-4234-000CN	1
3	Roller, pickup	RL1-1497-000CN	1
4	Separation-pad assembly	RM1-4207-000CN	1
5	Latch, left	RC1-2498-000CN	1
6	Latch, right	RC1-2499-000CN	1

Internal components (3 of 3)

Figure 7-6 Internal components (3 of 3)

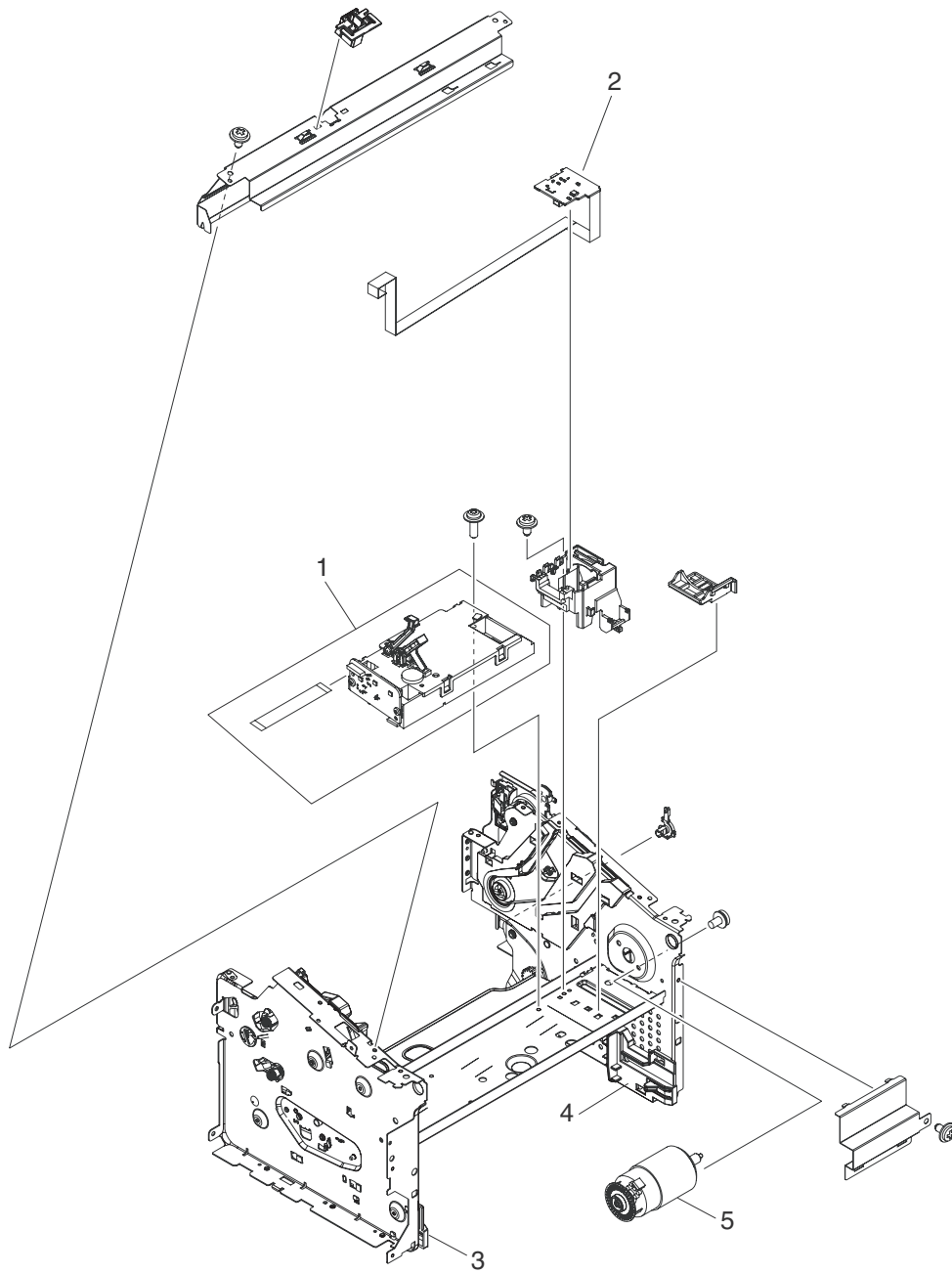


Table 7-11 Internal components (3 of 3)

Ref	Description	Part number	Qty
1	Laser/scanner assembly	RM1-4724-005CN	1
2	Motor-controller PCA	RM1-4935-000CN	1
3	Tray guide, left	RC2-2979-000CN	1
4	Tray guide, right	RC2-2980-000CN	1
5	Motor, 24V DC	RM1-4196-000CN	1